

**996 Series**

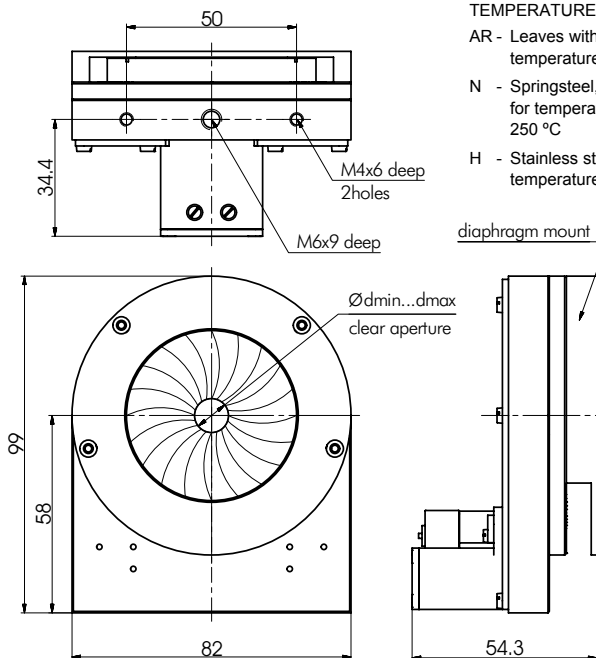
**MOTORIZED IRIS DIAPHRAGMS  
(Max. Aperture Range 30-50 mm)**



Irises with max. apertures from 30 mm to 50 mm close from min. to max. in 2 seconds with resolution depending on aperture size (see table below). Zero aperture motorized iris diaphragms are available on request, max. aperture sizes from 12 mm to 40 mm.

**SPECIFICATIONS**

Closing speed (min to max)	2 seconds
Stepper motor/gear	50:1
Limit switch	2 mechanical
Switch polarity	pushed is closed
Stepper motor	PG15/50



**TEMPERATURE LIMITS**

- AR - Leaves with AR coating, for temperatures up to 180 °C
- N - Springsteel, black finished, for temperatures up to 250 °C
- H - Stainless steel, for temperatures up to 400 °C

Catalogue number	Diaphragm Used	dmin Aperture, mm	dmax Aperture, mm	Resolution, steps per mm	Price, EUR
996-4330-H	993-4330-H	1.5	30	70	951
996-4330-N	993-4330-N	1.5	30	70	951
996-4934-AR	993-4934-AR	2	34	62	951
996-4934-N	993-4934-N	2	34	62	951
996-5036-N	993-5036-N	2.5	36	60	951
996-5337-N	993-5337-N	2.5	37	58	951
996-6040-N	993-6040-N	2.5	40	53	951
996-5842-N	993-5842-N	2.5	42	51	951
996-6445-H	993-6445-H	2.5	45	47	951
996-6445-N	993-6445-N	2.5	45	47	951
996-7050-N	993-7050-N	2.5	50	42	951

**RECOMMENDED CONTROLLERS**

980-0040-USB

see page 8.189



980-0030-RS232

see page 8.188

